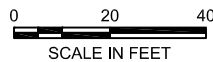


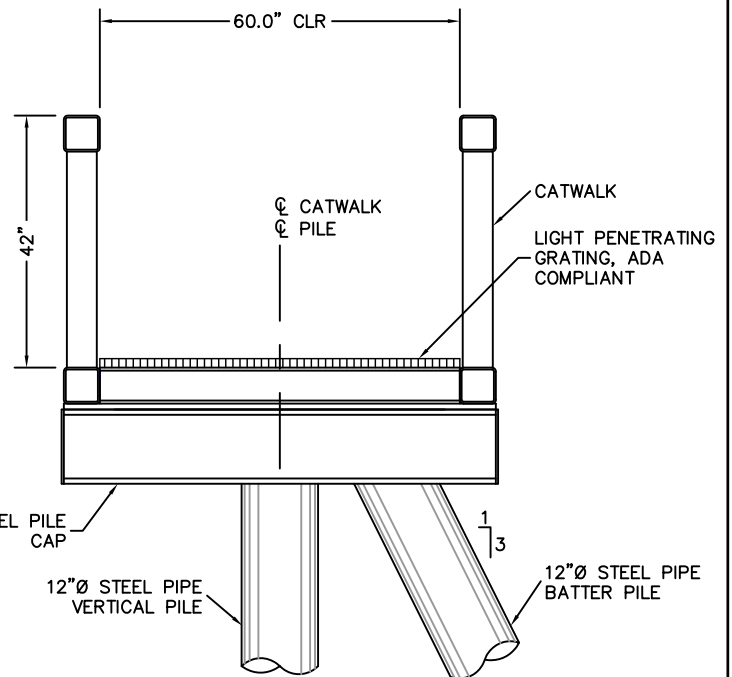
DOCK STRUCTURE ELEVATION



DATUM
ELEVATION DATUM FOR THIS PROJECT IS 0.0' MEAN LOWER LOW WATER (MLLW)

TIDAL DATA
BASED ON WASHINGTON DEPARTMENT OF ECOLOGY'S PUBLICATION "WASHINGTON STATE TIDAL AND TERRESTRIAL DATUM PLANES", DATED SEPTEMBER 1994. THE RELATIONSHIP BETWEEN NGVD 1929 AND MLLW DATUMS FOR PORT BLAKELY, NORTH PUGET SOUND IS AS FOLLOWS:

HIGHEST RECORDED TIDE ESTIMATE (EHW)	+15.00'
MEAN HIGHER HIGH WATER (MHHW)	+11.50'
MEAN HIGH WATER (MHW)	+10.60'
N.G.V.D. 1929	+6.12
MEAN LOW WATER (MLW)	+2.80
MEAN LOWER LOW WATER (MLLW)	0.00'
LOWEST RECORDED TIDE (ESTIMATED)	-4.50'



TYPICAL CATWALK SECTION
NOT TO SCALE

NOTES:

1. VERTICAL DATUM: MEAN LOWER LOW WATER
2. PND ENGINEERS, INC. IS NOT RESPONSIBLE FOR SAFETY PROGRAMS, METHODS OR PROCEDURES OF OPERATION, OR THE CONSTRUCTION OF THE DESIGN SHOWN ON THESE DRAWINGS. WHERE SPECIFICATIONS ARE GENERAL OR NOT CALLED OUT, THE SPECIFICATIONS SHALL CONFORM TO STANDARDS OF INDUSTRY. DRAWINGS ARE FOR USE ON THIS PROJECT ONLY AND ARE NOT INTENDED FOR REUSE WITHOUT WRITTEN APPROVAL FROM PND. DRAWINGS ARE ALSO NOT TO BE USED IN ANY MANNER THAT WOULD CONSTITUTE A DETRIMENT DIRECTLY OR INDIRECTLY TO PND.

DOCK ELEVATION AND TYPICAL SECTION

PURPOSE: REPLACE DOCK AND PROVIDE UNIVERSAL ACCESS

DATUM: MLLW 0.0'
LAT/LONG: 47°41'45.83"N / 122°32'01.89"W
LONGITUDE: S-T-R: 34-26N-2E

SITE LOCATION ADDRESS:
8588 HIDDEN COVE ROAD
BAINBRIDGE ISLAND, WA 98110

NAME: HIDDEN COVE PARK IMPROVEMENTS

ADJACENT PROPERTY OWNERS:
1 - SEATTLE YACHT CLUB
2 - WEST BEVERLEY L

PROPOSED: PUBLIC PARK DOCK AND UPLAND IMPROVEMENTS

IN: HIDDEN COVE
NEAR/AT: BAINBRIDGE ISLAND
COUNTY OF: KITSAP
STATE: WASHINGTON

DATE: OCTOBER 2013



SHEET: 5 OF 7