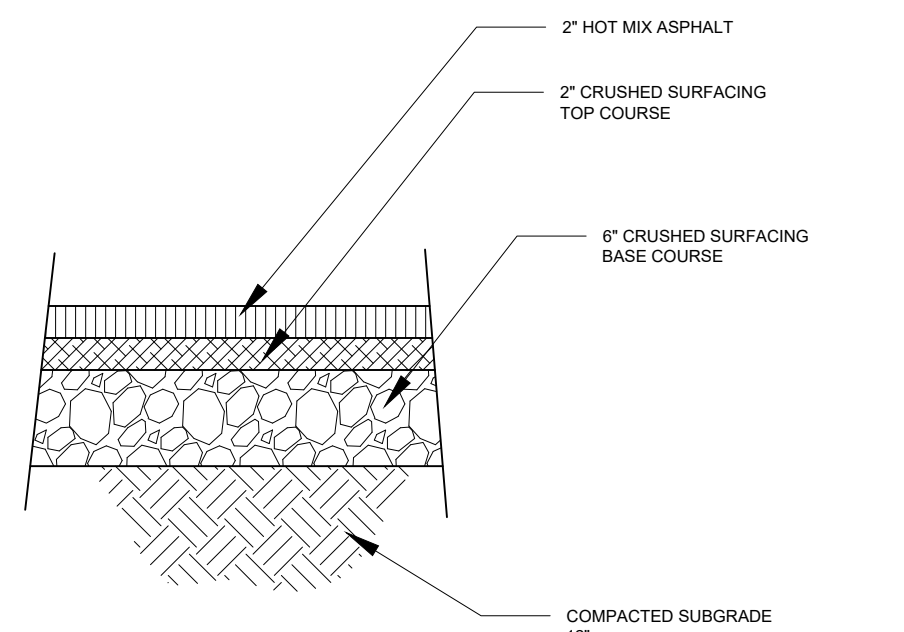
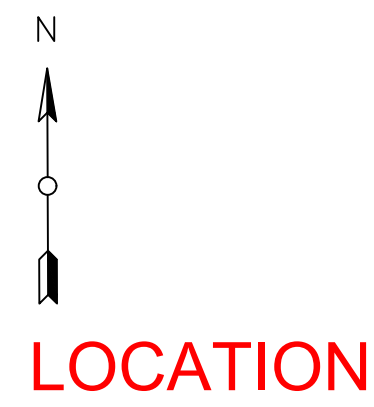
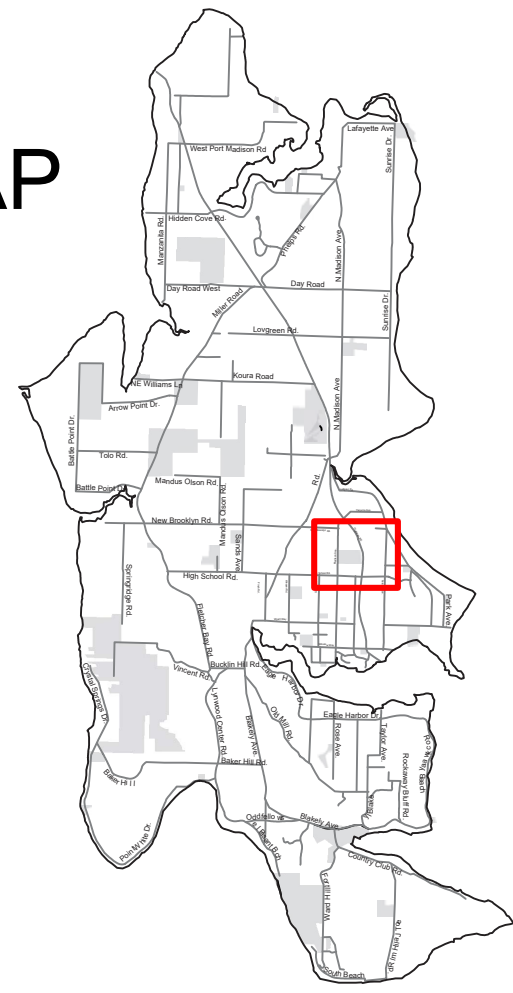


VICINITY MAP

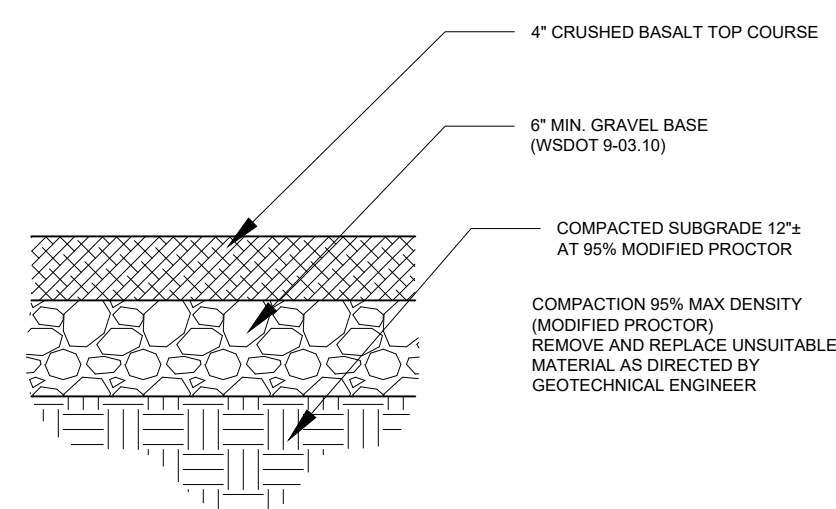
SAKAI PARK
BAINBRIDGE ISLAND METRO
PARKS
1560 MADISON AVE
CITY OF BAINBRIDGE ISLAND,
KITSAP COUNTY,
WASHINGTON, SECTION 23,
TOWNSHIP 25N,
RANGE 2E, W.M.

TAX PARCEL NO:
23250230762001

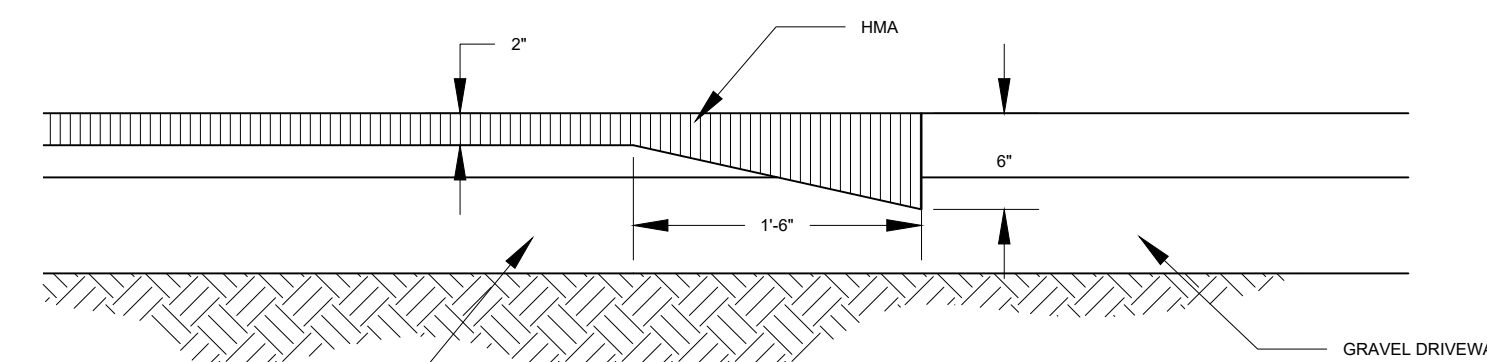


ALL MATERIALS SHALL BE COMPACTED TO 95% MAX DENSITY (MODIFIED PROCTOR)
REMOVE AND REPLACE UNSUITABLE MATERIAL AS DIRECTED BY GEOTECHNICAL ENGINEER

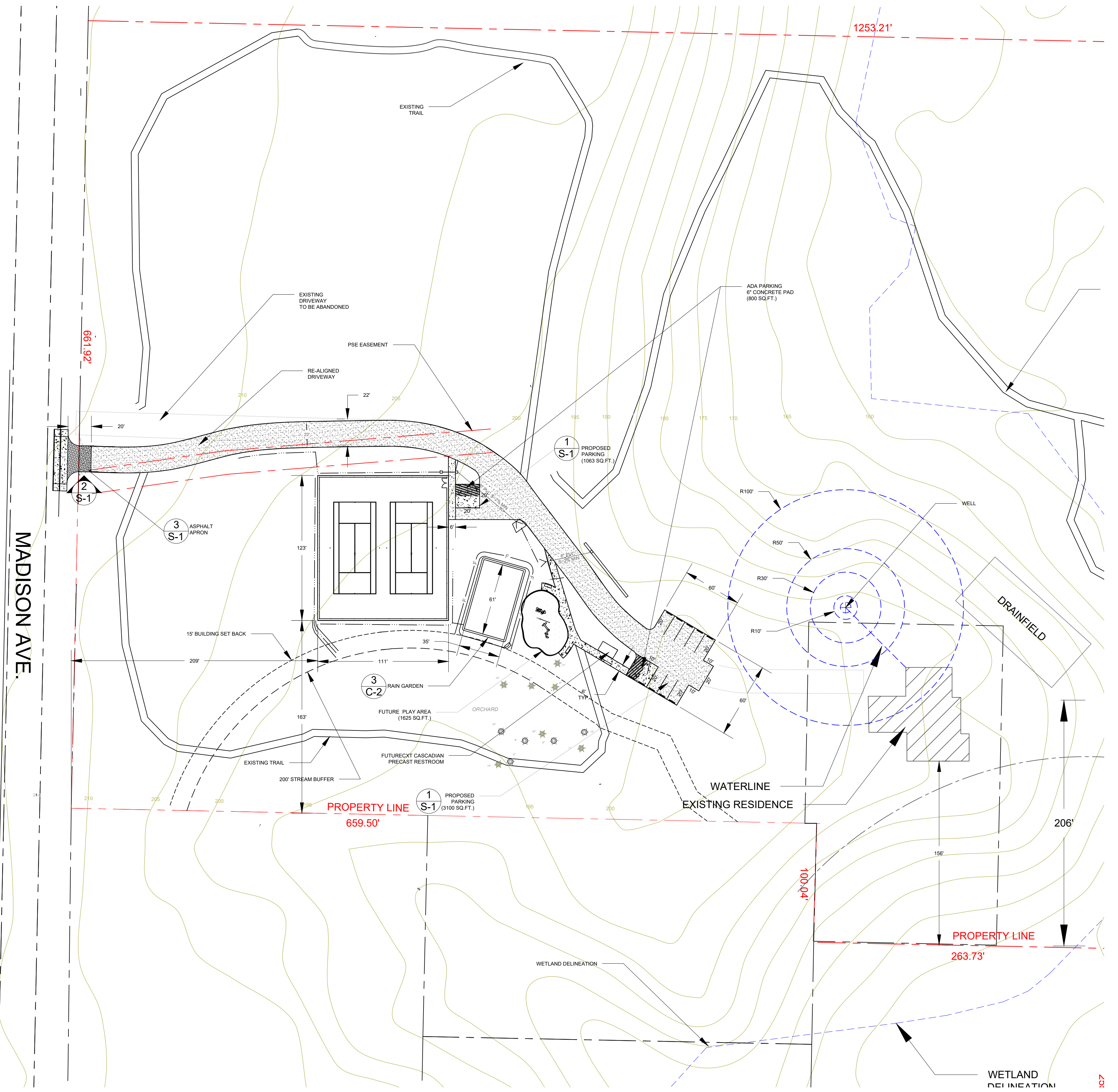
3 S-1 ASPHALT PAVING
NO SCALE



1 S-1 GRAVEL PARKING AND DRIVE
NO SCALE



2 S-1 GRAVEL TO ASPHALT PAVING TRANSITION
NO SCALE



01 S-1 SITE PLAN
SCALE: 1"=50'
0 25 50 75 100

SHEET LIST	
S-1	SITE PLAN
C-1	DRAINAGE PLAN
C-2	DRAINAGE PLAN
C-3	ASPHALT DETAILS
C-4	FENCING PLAN
C-5	STRIPING PLAN



S-1